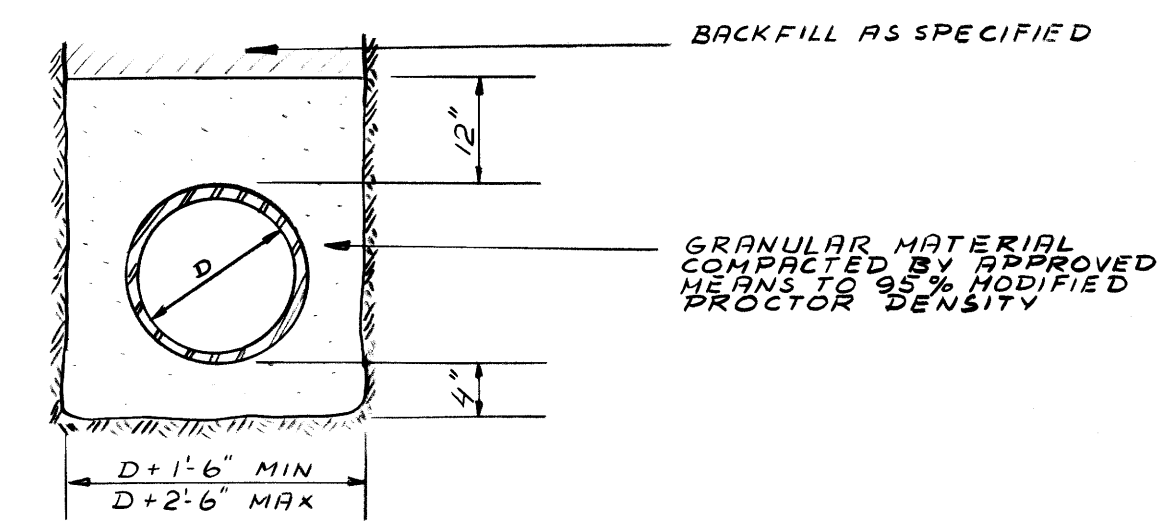
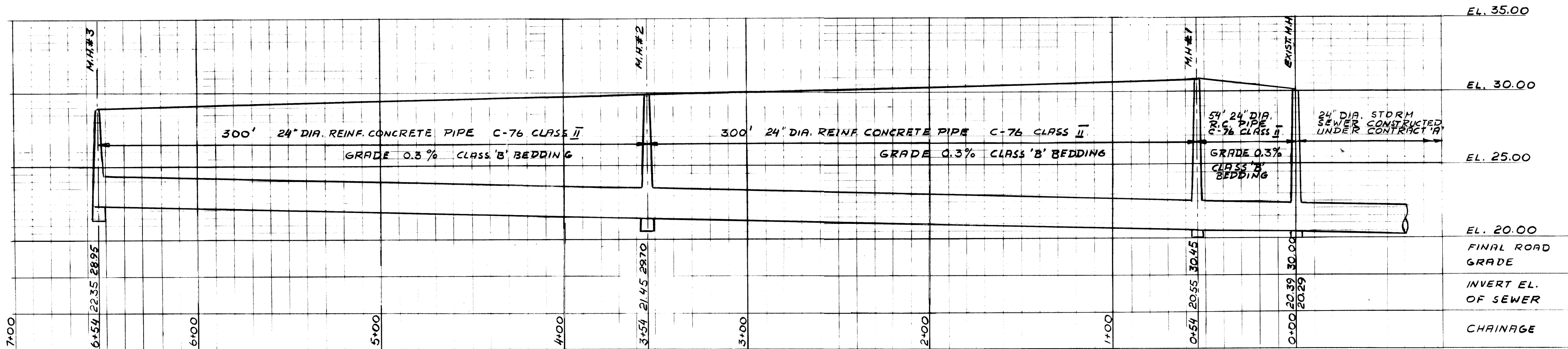


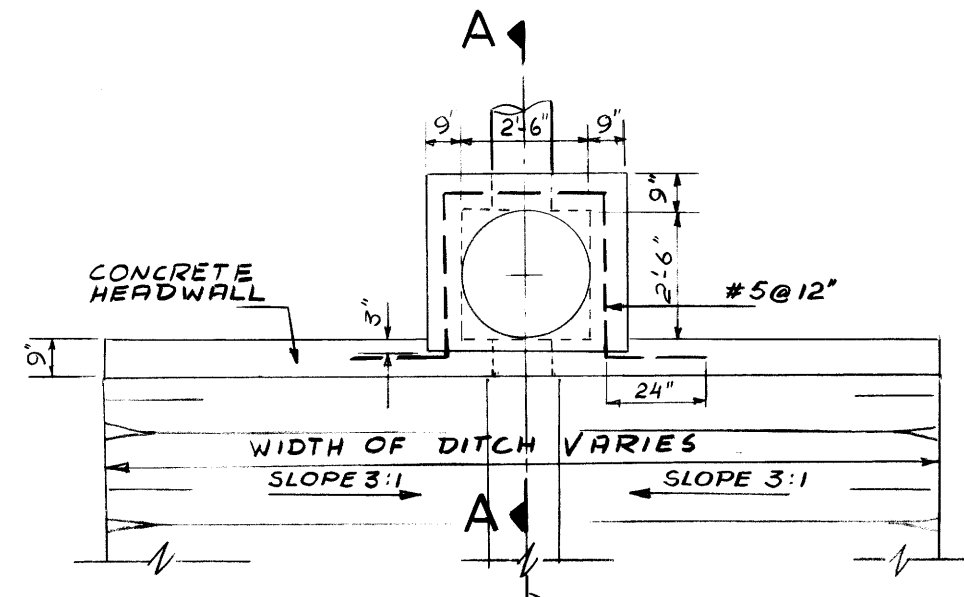
NOTE: SEWER TRENCH TO BE BACKFILLED WITH GRANULAR MATERIAL WITHIN ROAD LIMITS.



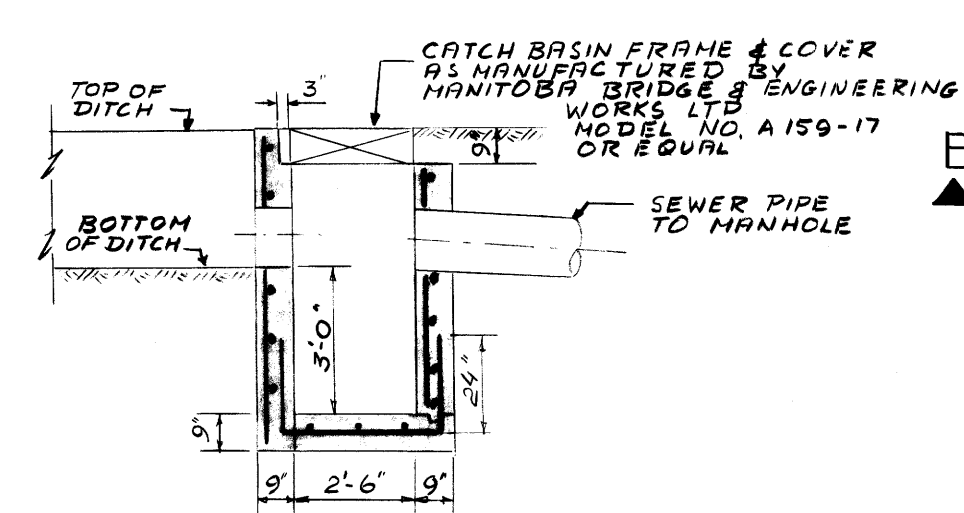
BEDDING DETAIL CLASS 'B'  
N.T.S.

PLAN & PROFILE OF 24" DIA. STORM SEWER

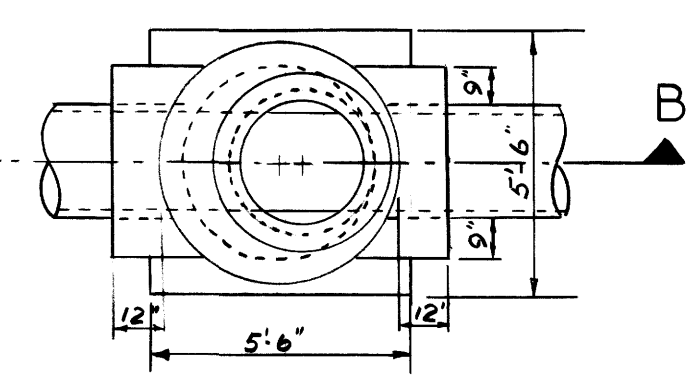
HOR. 1" = 40'-0"  
VERT. 1" = 5'-0"



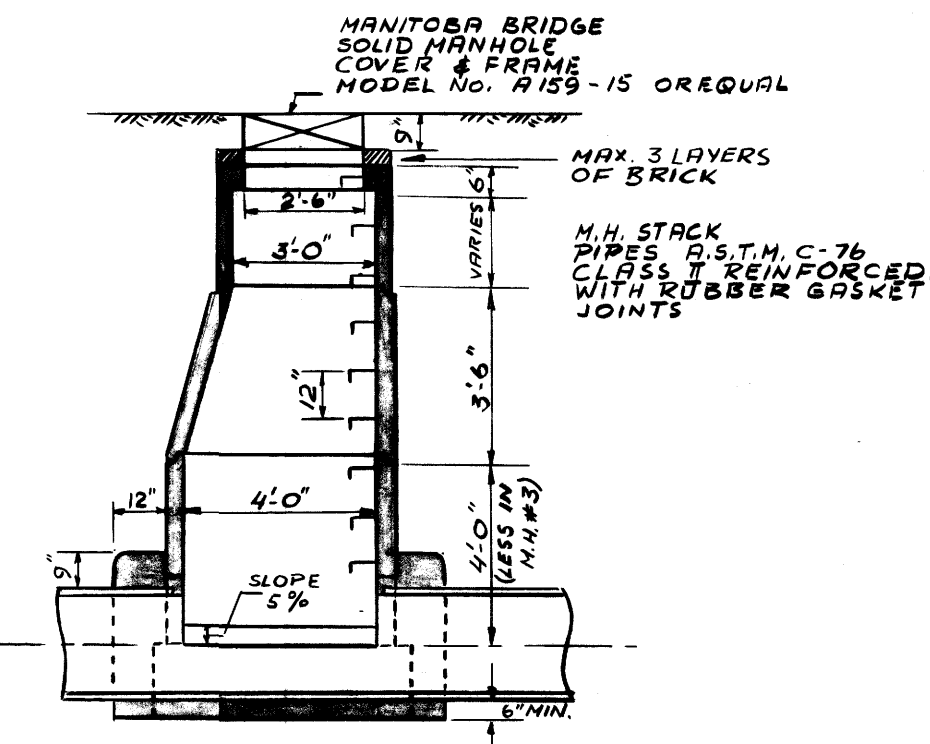
PLAN



SECTION A-A

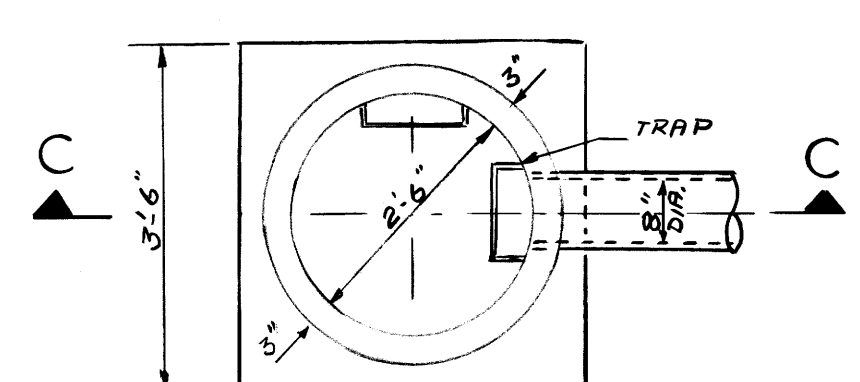


PLAN

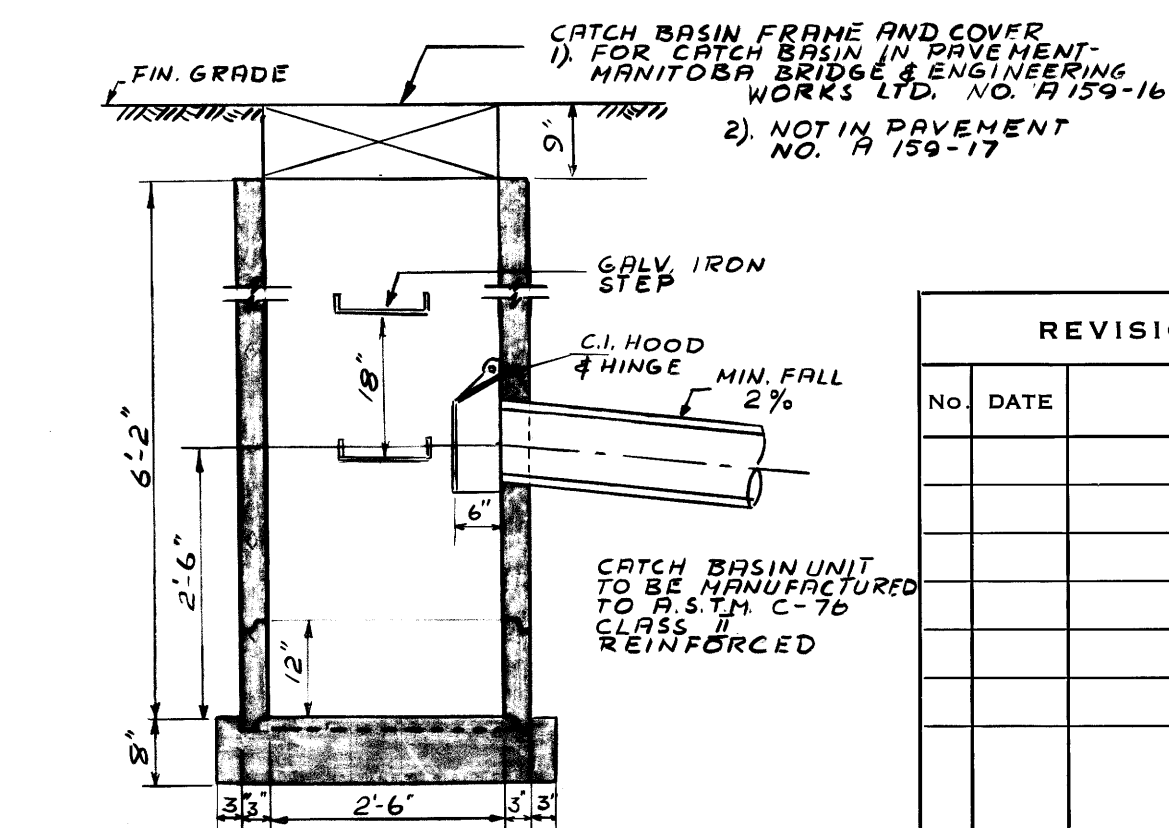


SECTION B-B

TYPICAL MANHOLE DETAIL  
1/4" = 1'-0"

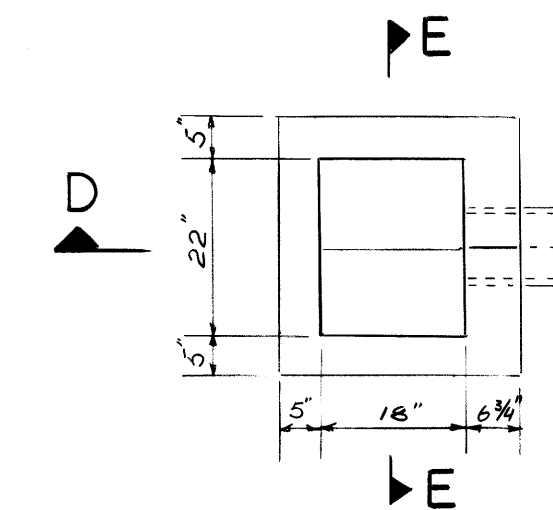


PLAN

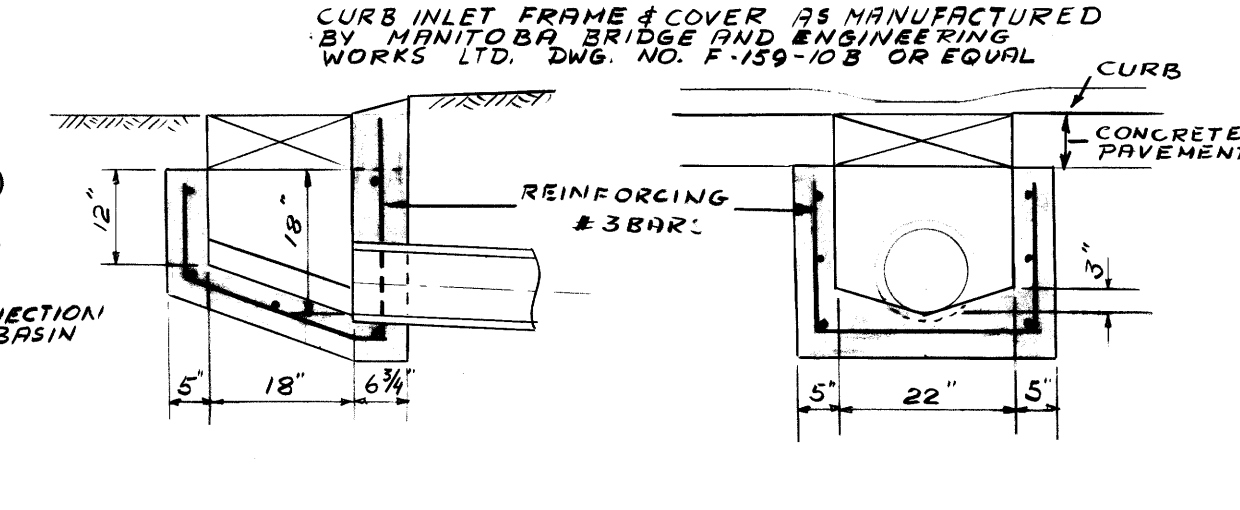


SECTION C-C

TYPICAL CATCH BASIN DETAIL  
1/2" = 1'-0" FOR ACTUAL ELEV. SUBTRACT 0.37 FT.



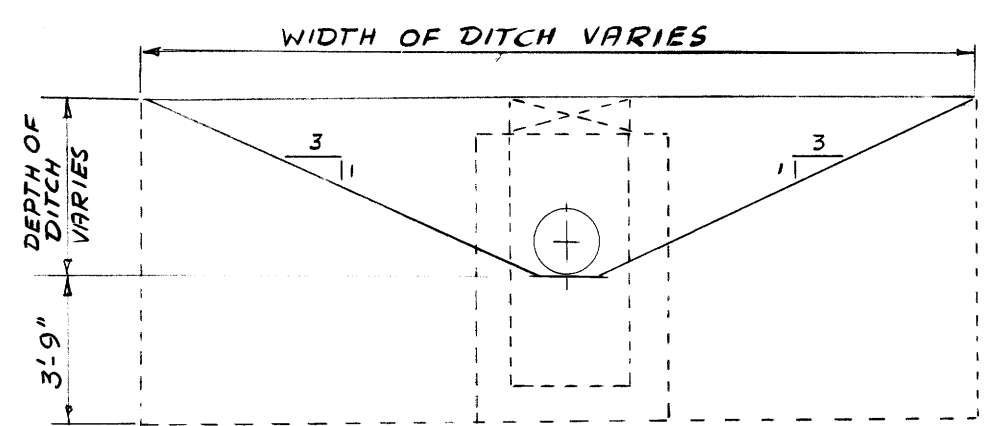
PLAN



SECTION D-D

SECTION E-E

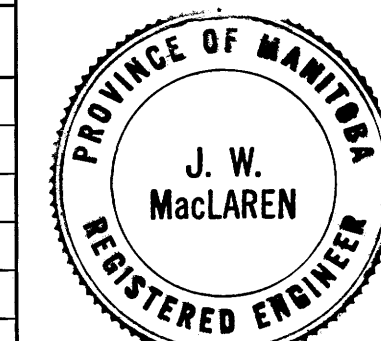
CURB INLET DETAIL  
1/2" = 1'-0"



FRONT VIEW

TYPICAL DETAIL OF DITCH INLET STRUCTURE  
1/4" = 1'-0"

REVISIONS		
No.	DATE	DETAIL



THE METROPOLITAN CORPORATION OF GREATER WINNIPEG  
WATERWORKS AND WASTE DISPOSAL DIVISION

NORTH END SEWAGE TREATMENT PLANT

**CONTRACT B - MISCELLANEOUS YARD PIPING**

APPROVED  
*J. W. MacLaren*  
 JAMES F. MACLAREN LIMITED ENGINEERS TORONTO  
 ENGINEER OF DESIGN

APPROVED  
*A. P. Parman*  
 W.L. WARDROP ASSOCIATES (MANAGEMENT) LIMITED ENGINEERING CONSULTANTS WINNIPEG  
 ENGINEER OF WASTE DISPOSAL  
 DIRECTOR & CHIEF ENGINEER

DATE AUGUST 15, 1963 SCALE AS SHOWN DWG. No. 313 OF 315

**NEP-313**

NR 10523